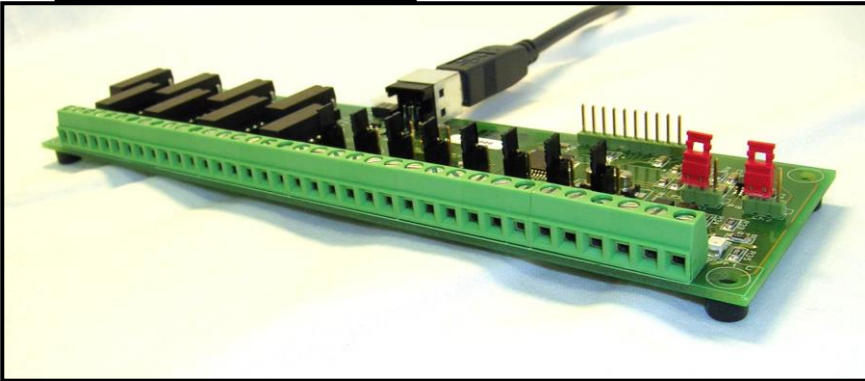


Specification

USB I/O



USB I/O features:

- 8 AI
- 2 AO
- 8 galvanic separated DI/DO
- 13 DI/DO
- PWM output
- Pulse generator
- Pulse counter
- Frequency measurement
- UART

USB I/O is a module for data acquisition and transmission of digital and analog signals. With the USB-bus plug-and-play function it is easy to control and communicate by our computer.

Specification

Analog input

Lines:	8 SE
Resolution:	10-bits
Input range:	0-5 V
Input impedance:	270 Ω 1,4 nF
Throughput:	8 kS/s ¹

Analog output

Lines:	2
Resolution:	10-bits
Output range:	0-5 V \pm 5%
Linearity error:	1 LSB
DA-type:	PWM 46 kHz

Digital I/O

Low current	
Lines:	13 I/O
Logic:	TTL
Throughput:	8 kS/s
Extra:	8 selectable pull up/down
High voltage	
Lines:	8 st galvanically separated channels
Standard features:	4 IGBT relay 4st optocoupler
Voltage ratings:	220 VAC
Current ratings:	1 A
Effect:	200 W for IGBT
Opto current:	5-24V
Option:	Opto and relays can be used

PWM output

Lines:	2 channels
Resolution:	10-bits
Frequency range:	3 kHz – 2,4 MHz
Limits:	Combined AO

Pulsgenerator

Lines:	1 channel. Selectable output
Pulse type:	Squarewave
Frequency range:	1 Hz – 3 kHz

Specification

Pulse counting

Lines:	1 channel
Resolution:	32-bits
Maximal frequency:	800 kHz

Frequency measurement

Lines:	1 channel
Frequency range:	35 Hz – 1 MHz
Pulse width:	< 100 kHz

UART

Lines:	1 in- and 1 output
Baud rate ² :	Selectable: 4 800, 9 600, 19 200, 38 400 and 57 600 baud
RS232:	Prepared for communication

Design

USB type:	USB 2.0 Full speed
USB standard:	HID – no driver needed
Power:	Provided via USB-port
Port protection:	OVP
External indication:	Controllable LEDs
Operating temperature range:	0-70°C
Size:	200x56x18 mm (LxWxH)

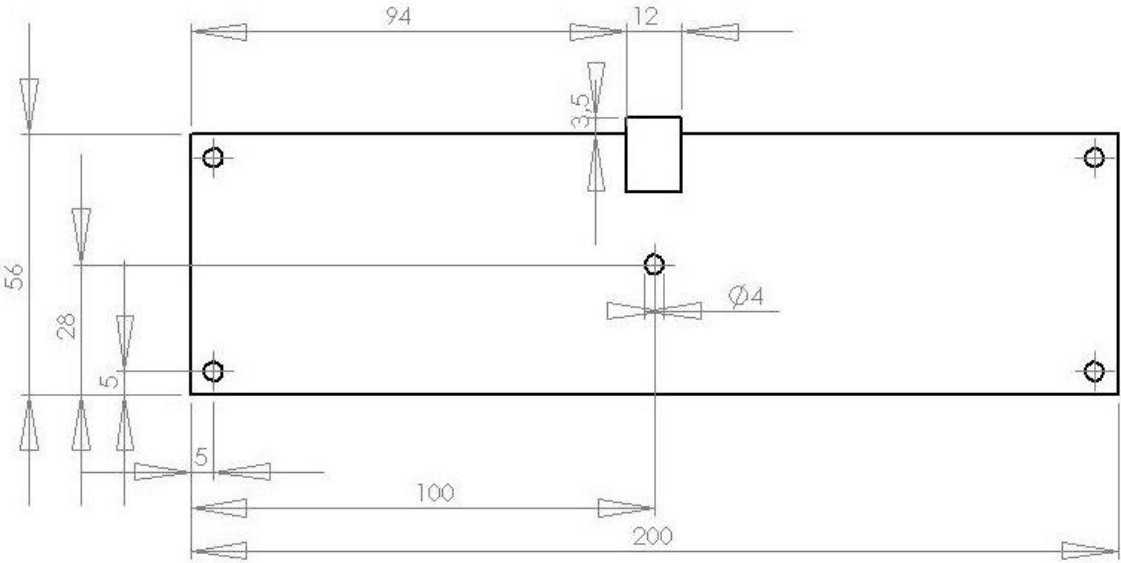
Software

Drivers:	Not needed for Windows Driver available for Linux
Programming language:	C++ or Visual Basic
Software:	Supports LabVIEW, Proview (linux)

¹ S/s states samples (8-bits) transferred per second.

² Transfer rate (b/s).

Dimensions



Motion Control

We create and develop electronics

phone: +46-(0)21-470 21 75
www.motioncontrol.se